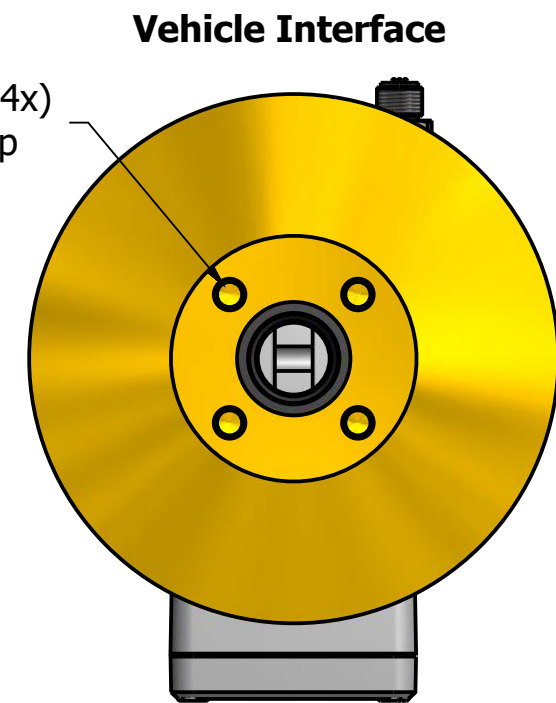
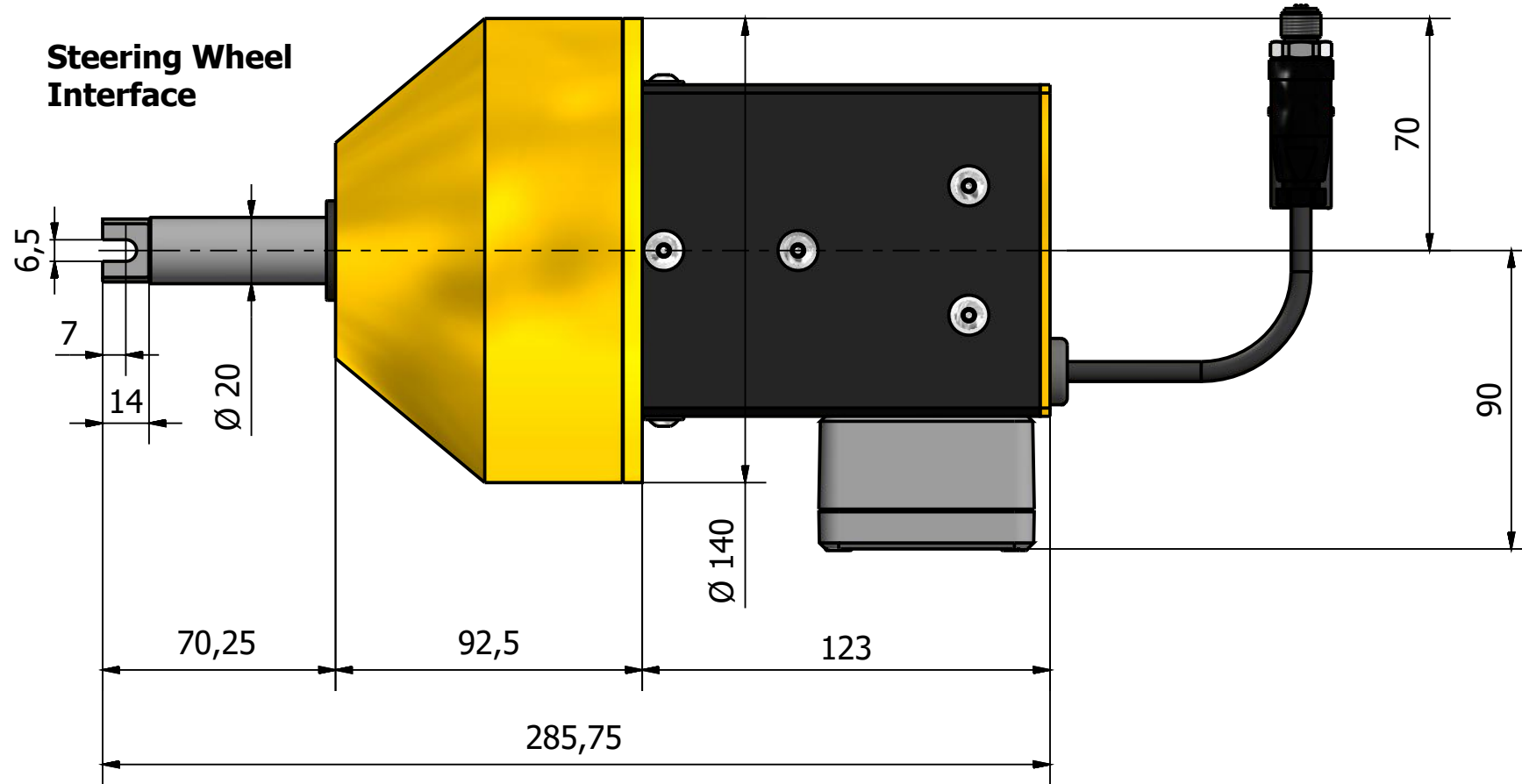
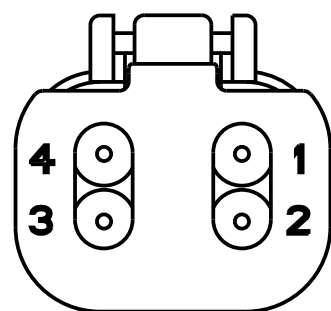


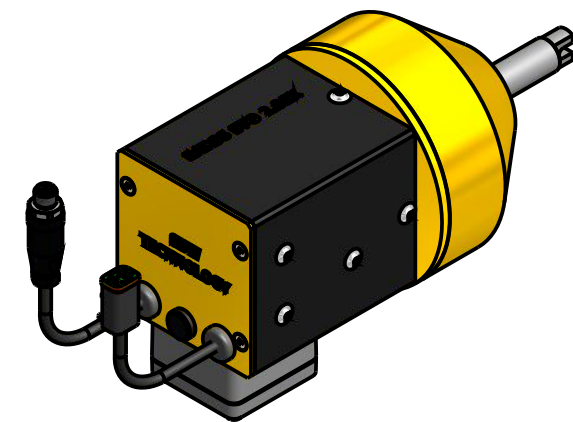
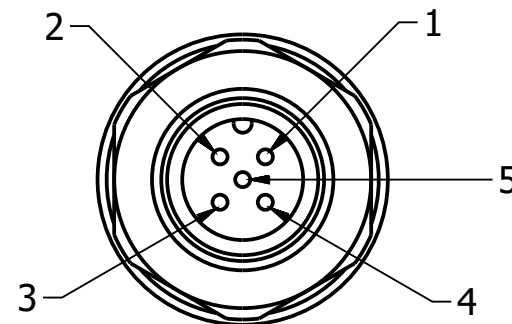
EARSS EVO 2.0EX TILT DIMENSIONS & INTERFACES



Primary Connector



Secondary Connector



PIN DESCRIPTION AND COLOR CODE

PRIMARY CONNECTOR		
PIN 1	POWER	RED
PIN 2	GND	BLACK
PIN 3	CAN HIGH	WHITE
PIN 4	CAN LOW	BLUE
CURRENT RATING CONNECTOR		13.0 Amps

PIN DESCRIPTION AND COLOR CODE

SECONDARY CONNECTOR		
PIN 1	SHIELD	BARE
PIN 2	POWER	RED
PIN 3	GND	BLACK
PIN 4	CAN HIGH	WHITE
PIN 5	CAN LOW	BLUE
CURRENT RATING CONNECTOR		4.0 Amps

Descrizione : EARSS EVO 2.0 EX TILT

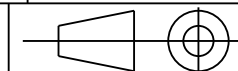
Materiale :

TOLLERANZE

Generali ± 0.1
Centro Fori ± 0.1
Fori ± 0.1

Data
10 02 2016

Scala 1:2



Formato A3

Foglio 1 di 1

EARSS EVO 2.0 EX TILT dimensions & interfaces